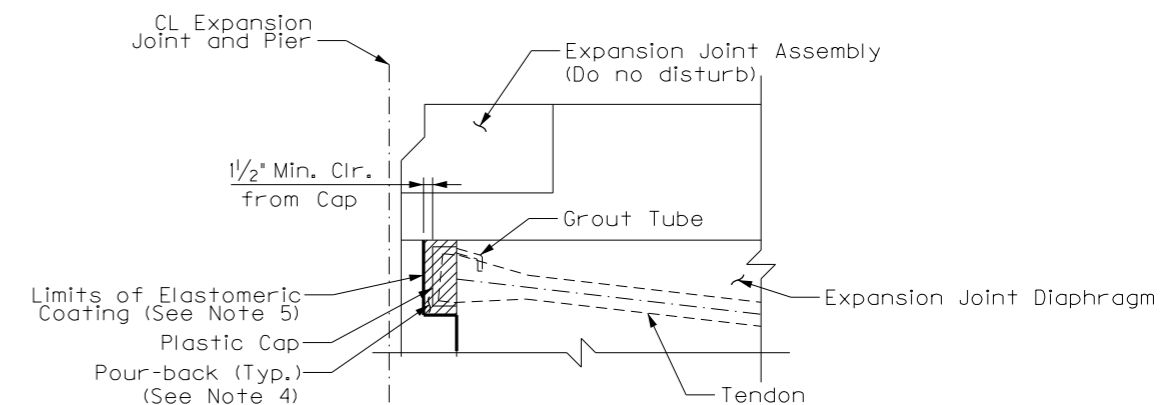
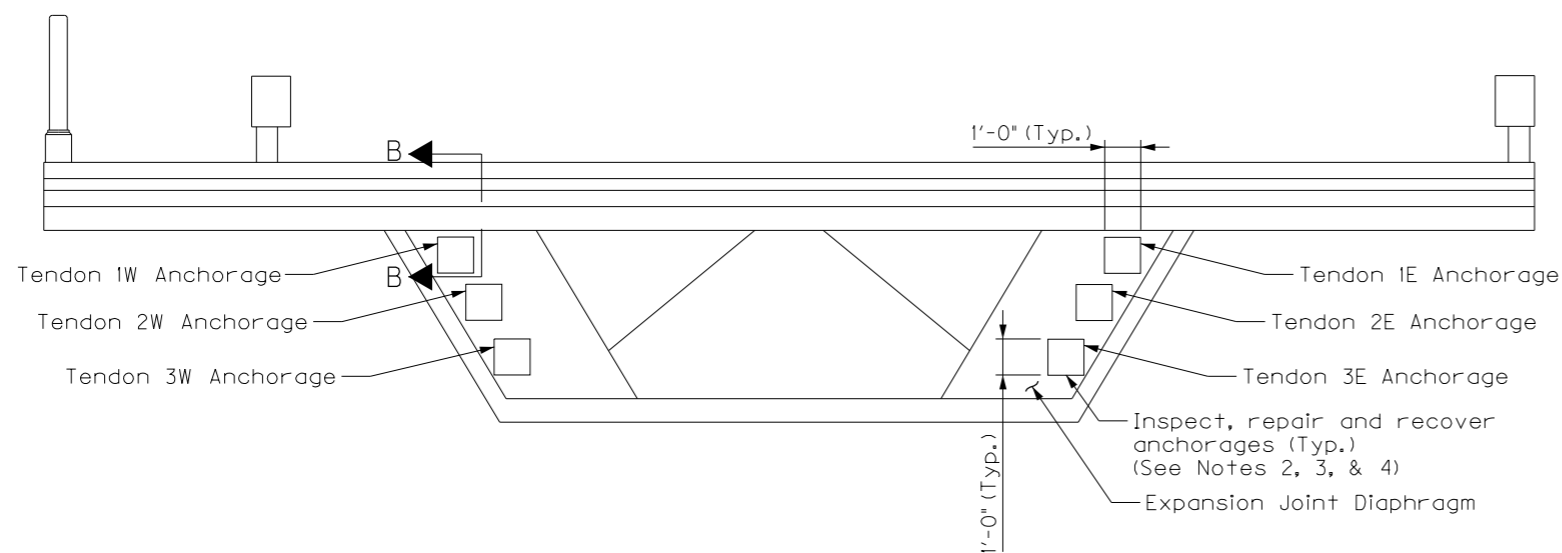
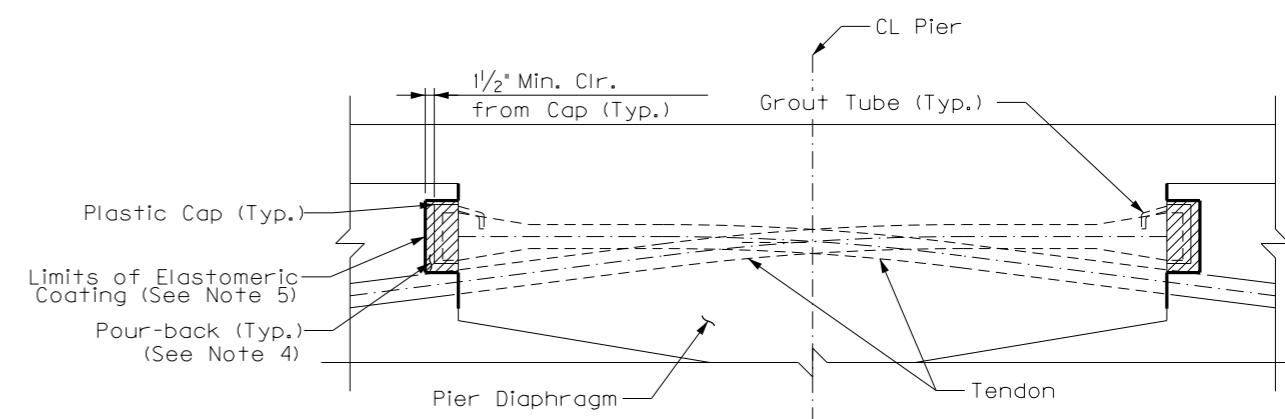
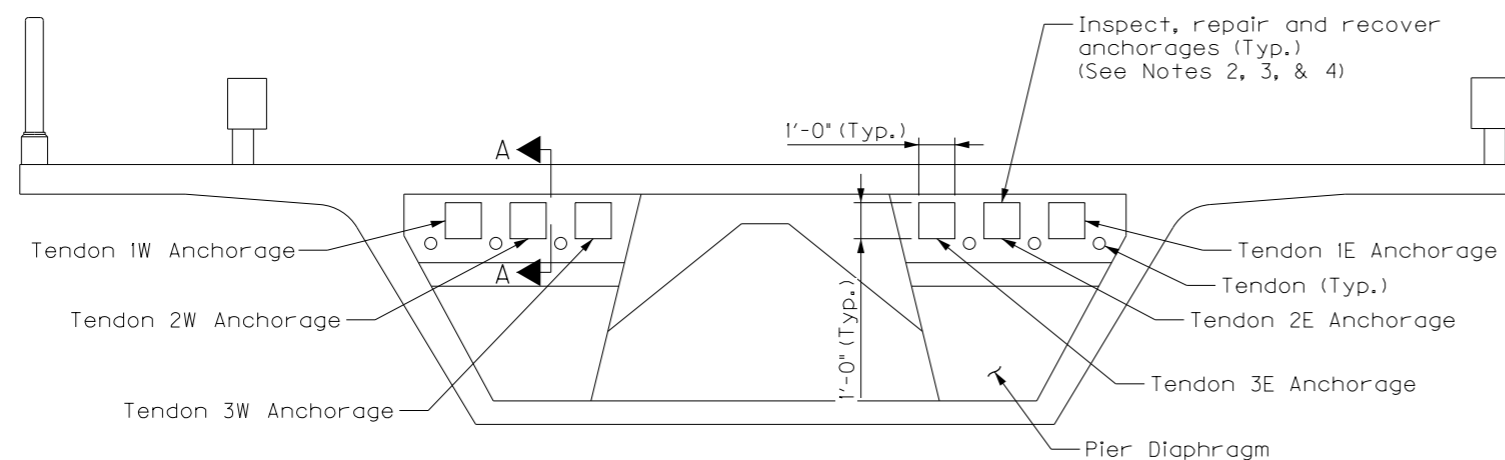


DESCRIPTION	REVISIONS	DATE



Notes:

1. Drawings are not to scale.
2. Inspect anchorages for voided areas in accordance with the Post-Tension Anchorage Inspection Specifications on Sheet 3.
3. Perform Remedial Grouting to fill voids in accordance with the Remedial Grouting Specifications on Sheet 2.
4. Replace all tendon anchorage pour-backs in accordance with the Anchorage Protection Replacement Specifications on Sheet 3. Any damage to the surrounding concrete, trumpet, or tendons shall be repaired at the Contractor's expense.
5. Extend Elastomeric Coating six inches in all directions onto surrounding surfaces beyond the tendon pour-back.

DRAWN	IRM	2-13	OKLAHOMA DEPARTMENT OF TRANSPORTATION US 59 SB OVER GRAND LAKE DELAWARE COUNTY BRIDGE "A" ANCHORAGE INSPECTION AND REPAIR DETAILS STATE JOB NO. 30223(04)
CHECKED	CRK	2-13	
APPROVED	DEM	2-13	
			SHEET NO. 14